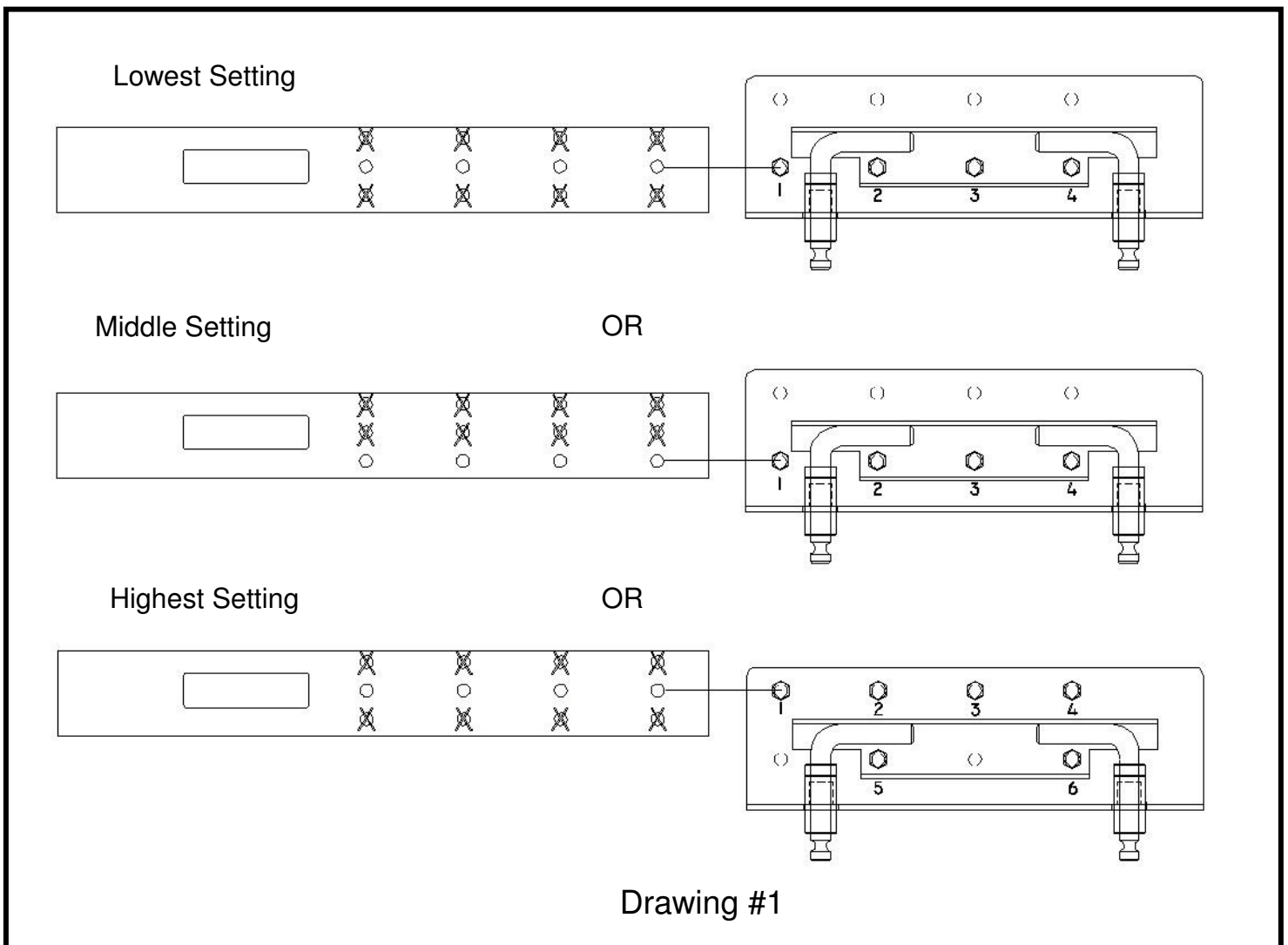


Hijacker UMS AutoSlide Side Rail Install

General Assembly and Install Instructions – 10/13/06

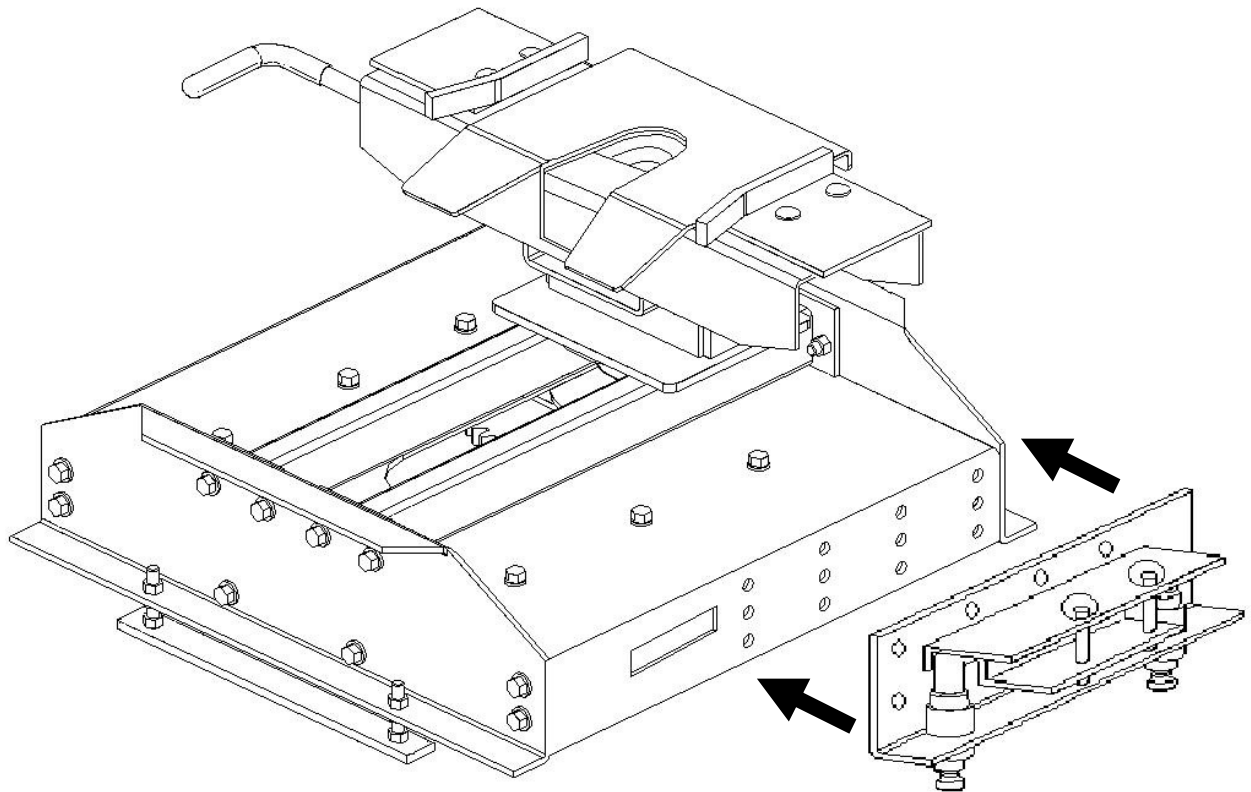
Hitch Assembly:

1. Loosely bolt the main AutoSlide assembly to the side rails using the 1/2" x 1 1/2" bolts, flat washers, and lock nuts provided in the side rail bolt package at the predetermined height using the bolt pattern guide in drawing #1. **NOTE: On highest setting, use 6 bolts. The 4 along the top row are to fasten to hitch assembly and the bottom 2 are to fasten the side rail brace to side rail to retain locking pins.**
2. Tighten all the bolts.
3. Unlock locking pins and insert the hitch assembly into the base rails and test for fit. If the pins are too narrow to drop in, follow the alignment procedure on page 3.
4. Proceed to base rail install procedure as provided in the base rail installation kit.



Parts List:

- 1 – Driver side Side Rail
- 1 – Passenger side Side Rail
- 2 – Side Load Brackets (PN 24-UM-21F & 24-UM-21R)
- 12 – 1/2" x 1 1/2" Bolts (PN 104)
- 20 – 1/2" Flat Washers (PN 105)
- 12 – 1/2" Lock Nuts (PN 106)
- 4 – 3/8" x 3 3/4" Safety Lock Pins (c/w key ring) (PN UM100)
- 4 - # 10 Hitch Pins (PN 118)



IMPORTANT NOTE: Apply a little grease or lubricant to the part of the pins that insert into the base rails to help maintain smooth operation and rotation of pins and to protect from the elements. Turn the pins occasionally to prevent them from seizing.

