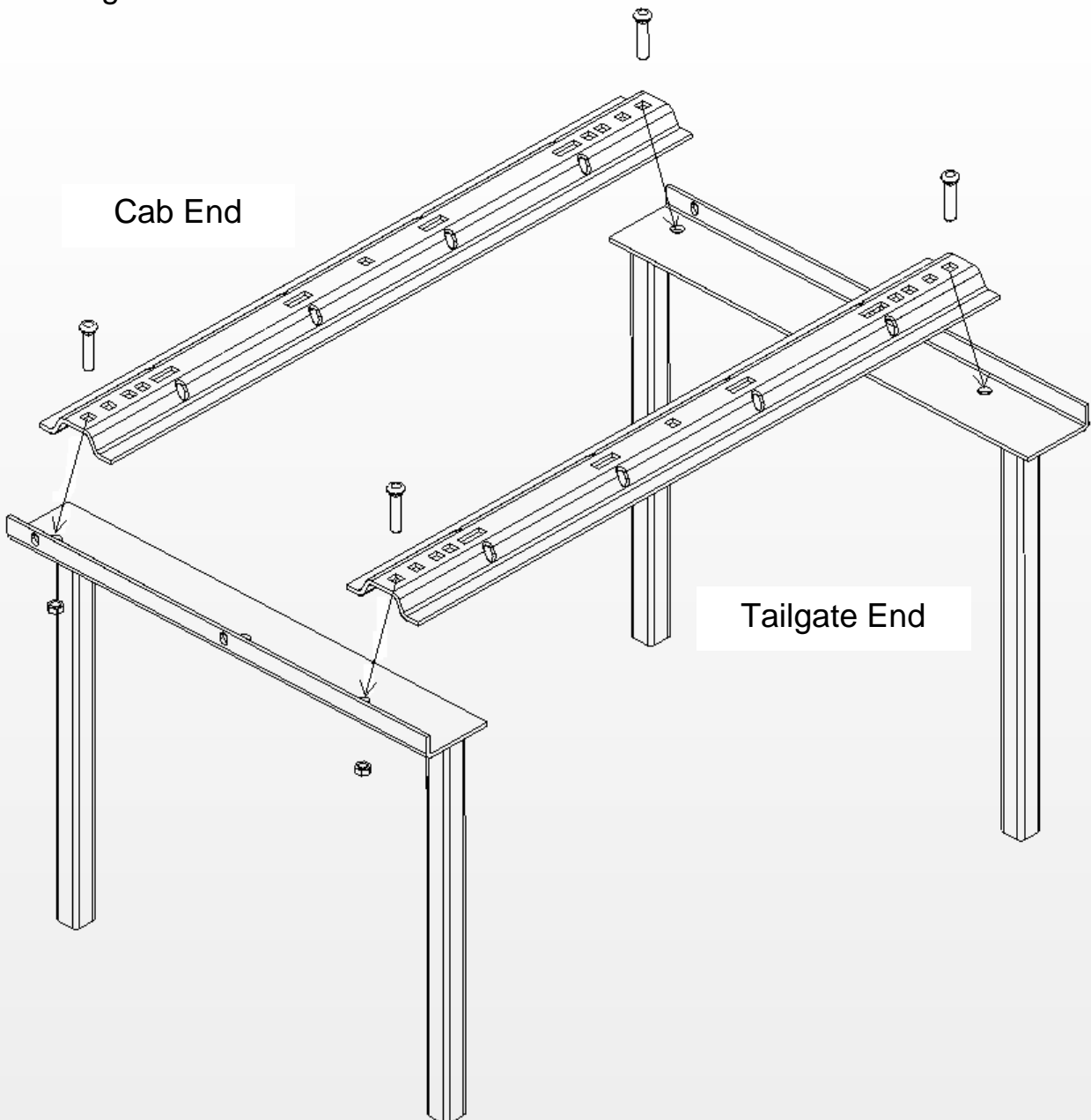


Hijacker® AutoSlide Hitch Display Stand

UL Model

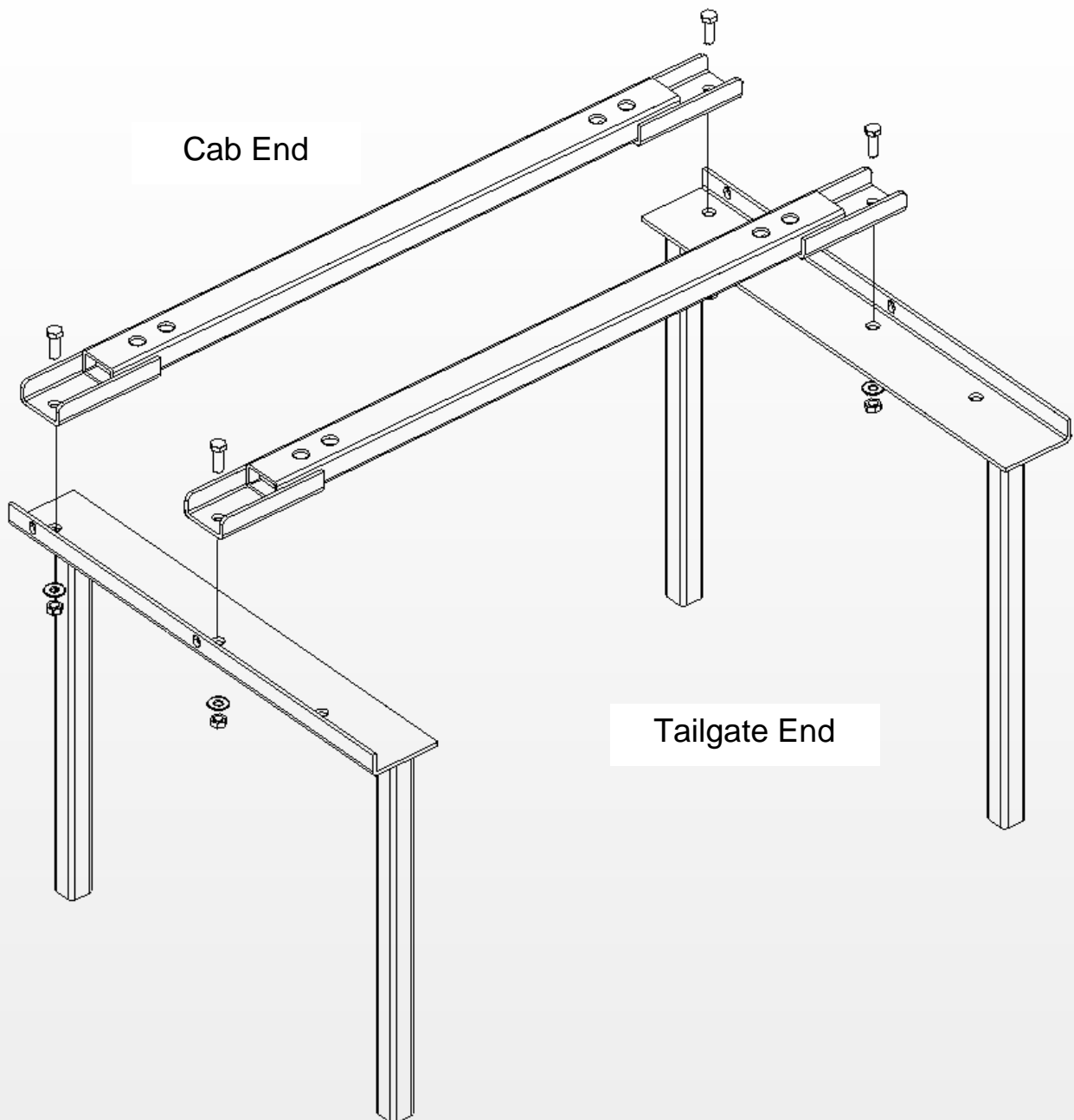
1. Attach and fasten side plates to AutoSlide assembly
2. Install and pin into base rails
3. Attach to display stands using outside holes on base rails to front and rear holes on bottom flat portion of display stand.
4. Tighten bolts.



Note: Hitches are not supplied with display

UMS Chev & Dodge Models

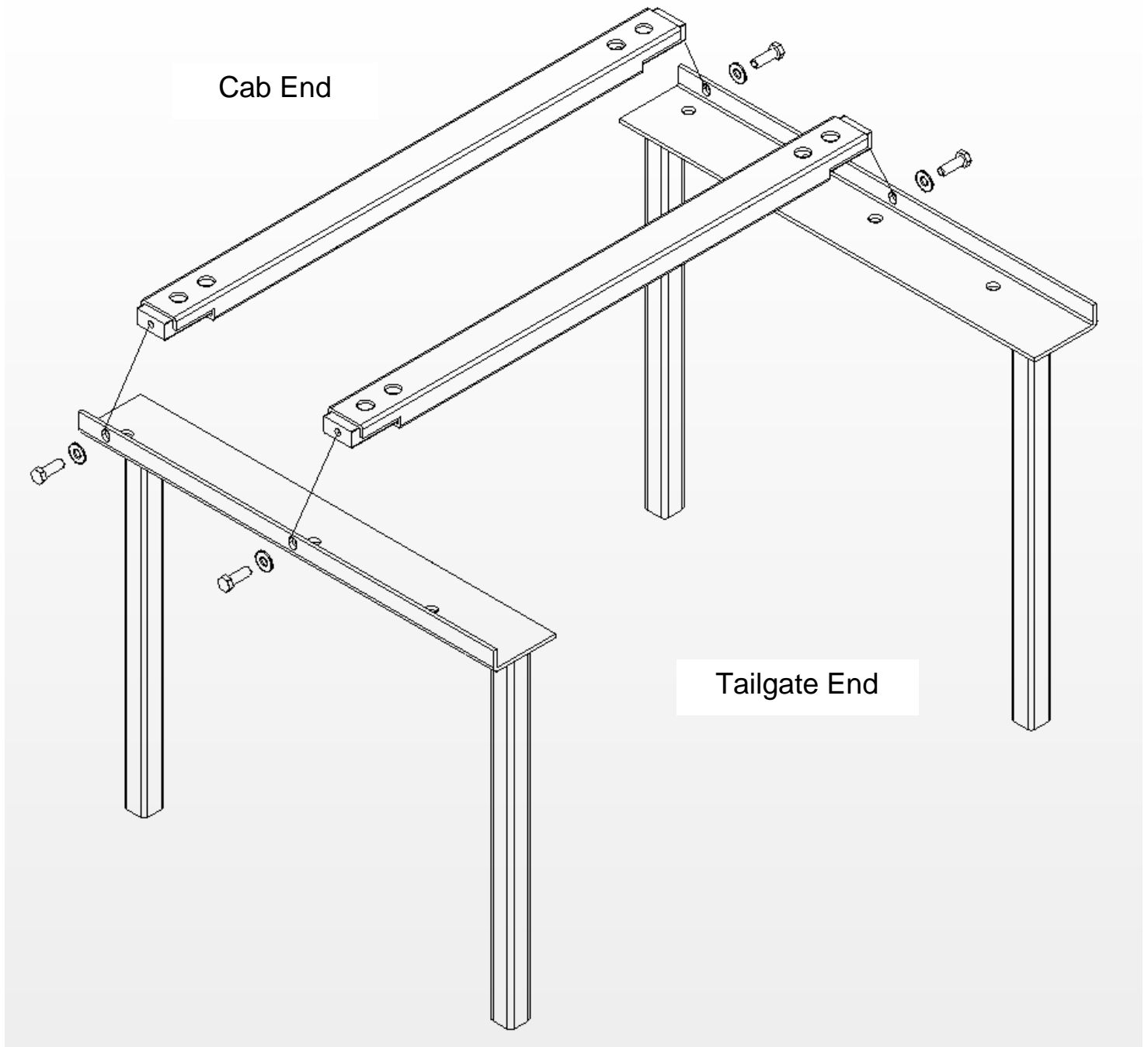
1. Attach and fasten side plates to AutoSlide assembly
2. Install and pin into base rails
3. Attach to display stands using mounting holes on base rails to middle and rear holes on bottom flat portion of display stand.
4. Tighten bolts.



Note: Hitches are not supplied with display

UMS Ford F350 Model

1. Attach and fasten side plates to AutoSlide assembly
2. Install and pin into base rails
3. Attach to display stands using mounting holes on base rails to middle and rear holes on side portion of display stand.
4. Tighten bolts.



Note: Hitches are not supplied with display